



EASY SHAKE

FULL LENGTH SHEET METAL ROOFING



ADD CURB APPEAL THE EASY WAY!

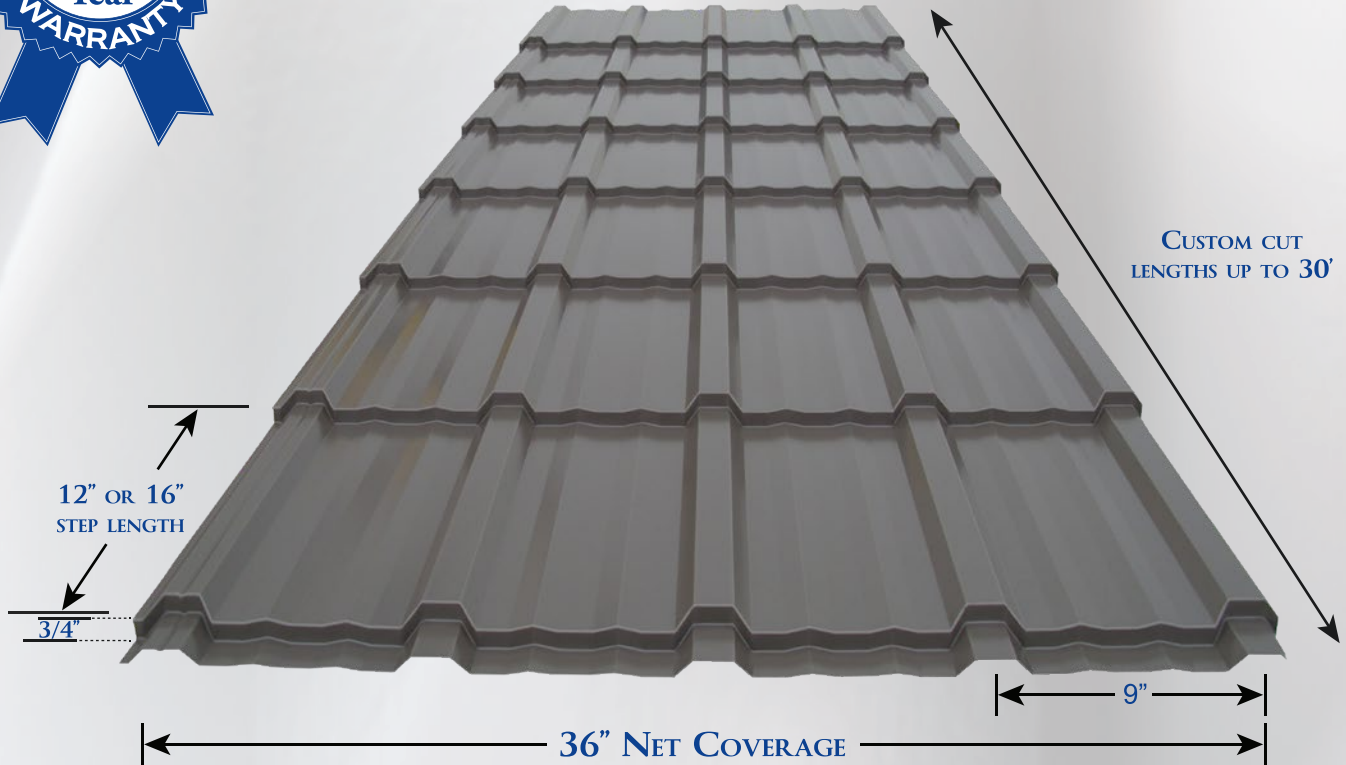
Easy Shake gives you all the robust beauty and strength of slate roofing with a fraction of the weight and install time, giving your home better curb appeal with a traditional look. Perfect for your home or cottage.



EASY SHAKE

ENGINEERED FOR STRENGTH - 100% METAL

26 Gauge



Less Seams, Less Time, Less Worries



This uniform step panel can be custom cut to lengths up to 30' significantly reducing the amount of seams and aiding in the prevention of leaks. Available in 12" or 16" steps.



EASY SHAKE has a lifetime of 40+ years which is up to 3 times longer than conventional asphalt shingles.

▪ *Least expensive roofing system over the life of the roof.*



EASY SHAKE is highly resistant to all of what nature can conjure up, including extreme weather conditions, termites, pests, mold or mildew. The smooth finish helps resist dirt and shed the buildup of snow and ice.

- *Won't ignite, crack, split, break, or curl.*
- *Virtually Maintenance Free over the life of the roof.*



EASY SHAKE is less than 1/3 the weight of asphalt shingles and installs over existing shingles. No "tear off" required. ②

▪ *Saving you time and money.*



EASY SHAKE is not only made from partially recycled materials but at any time is recyclable and reusable.

▪ *Environmentally Friendly.*

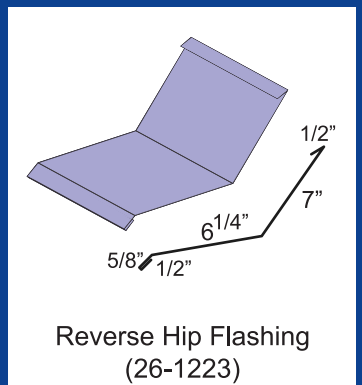
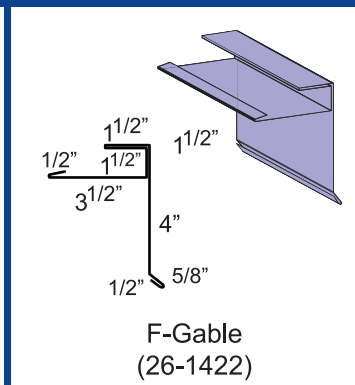
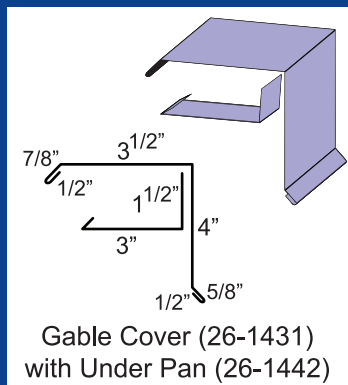
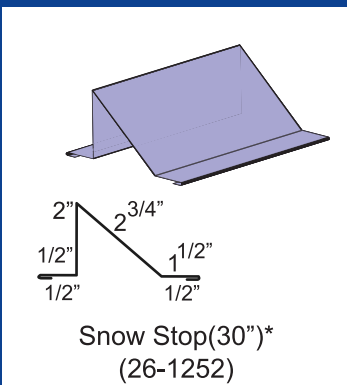
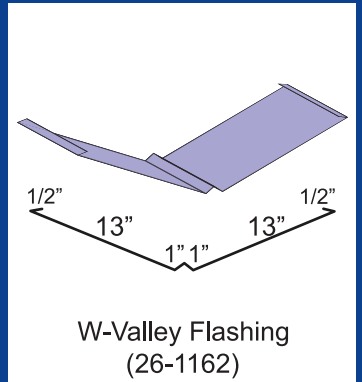
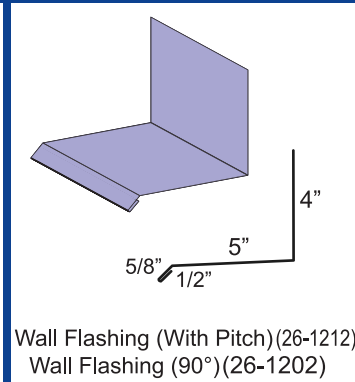
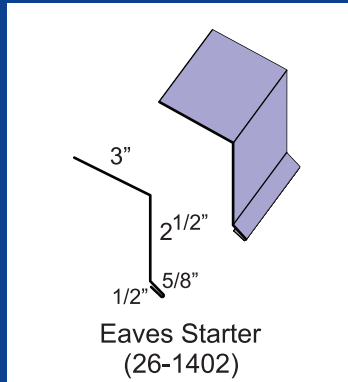
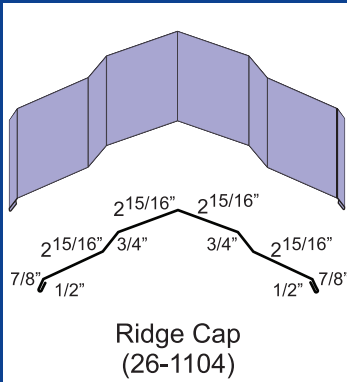
① The above colours are intended only as an approximation of actual colours. Exact colour chips can be supplied. ② Must strap roof prior to installation.

BEAUTIFUL ▪ SUSTAINABLE ▪ AFFORDABLE

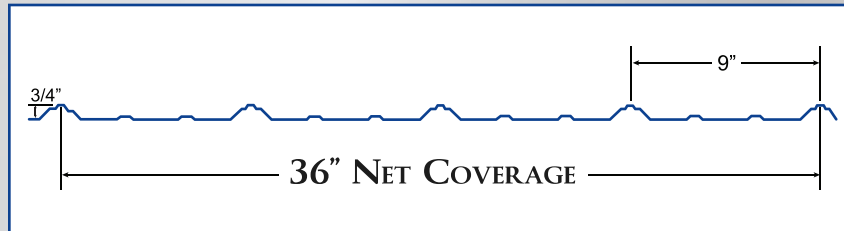
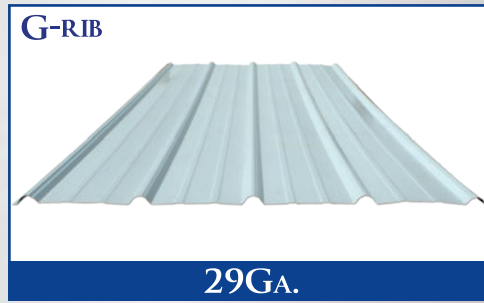


FLASHING & TRIM

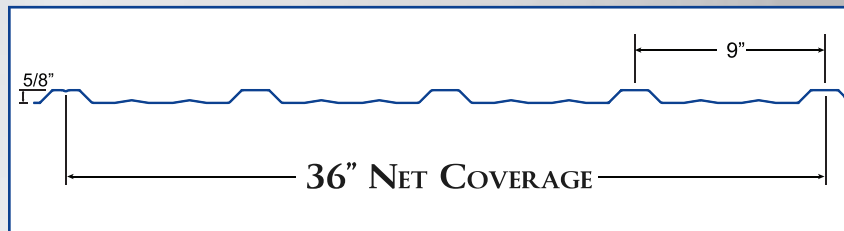
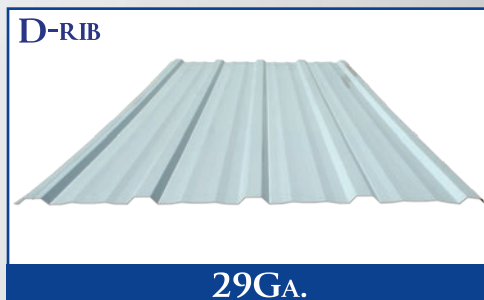
ALL FLASHING & TRIM ARE MANUFACTURED IN 10' LENGTHS. *CUSTOM TRIM & FLASHING AVAILABLE.



UNLESS OTHERWISE STATED ALL FLASHING & TRIM WILL BE MANUFACTURED TO A 4/12 PITCH.



The G-Rib panel is our most economical option, yet offers all the same great advantages of our other steel panels. This panel has primary ribs that are 9 inches from centre. The primary ribs are three-quarter inch tall. In between those ribs are two smaller secondary ribs adding strength, durability, and aesthetics.



This exposed fastening panel is designed for fast and easy installation. It provides all the strength and weather tight confidence you need for the residential, commercial and agricultural sectors. Perfect for wall applications.



**21+ COLOUR
OPTIONS**
(EXCEPT EASY SHAKE)

1-888-763-7779

73000 Airport Line
R.R #2, Box 137
Hensall, Ontario
N0M 1X0

easybuildingproducts.ca

THE E.B.P. ADVANTAGE

Constructed of high tensile steel, our ribbed panels are easy to install, sturdy, and weather tight. Resistance to dents, plus minimal expansion/contraction properties make these steel panels an excellent investment providing lasting protection and greater durability that will enhance all types of structural designs.