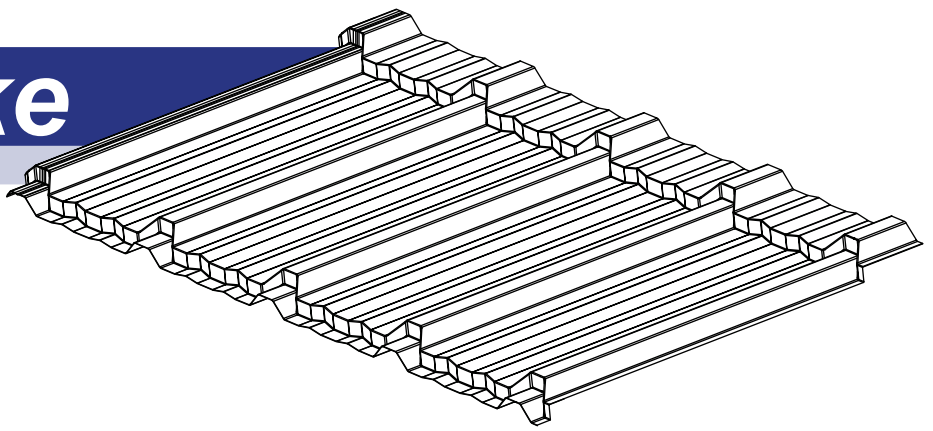


EASY Shake

AVAILABLE COLOURS



Midnight Black



Charcoal



Green

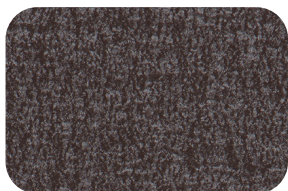


Dark Red

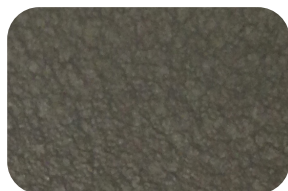


Burnished Slate

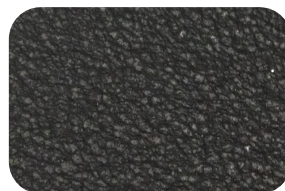
TEXTURED COLOURS



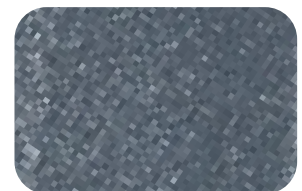
Woodland Brown



Ash Grey



Cavern Black



Storm Blue

These colours are intended only as an approximation of actual colors.
Exact color chips can be supplied if required.



73000 Airport Line
R.R #2, Box 137
Hensall, Ontario
N0M 1X0

Fax: (519) 263-3108
Phone: (519)-263-3107
Toll Free: 1-888-763-7779
www.easybuildingproducts.ca

January 25, 2019